



ZC-D4000 Series

540 TVL DAY/NIGHT DOMES



- 540 TVL Super High Resolution
- 3.3-12mm **computar**® F1.4 Varifocal Auto Iris Lens
- True Day/Night, Digital Day/Night, & WDR Models
- 12VDC or 24VAC Operation, Auto-sensing
- Full Range of Indoor & Outdoor Mounting Options

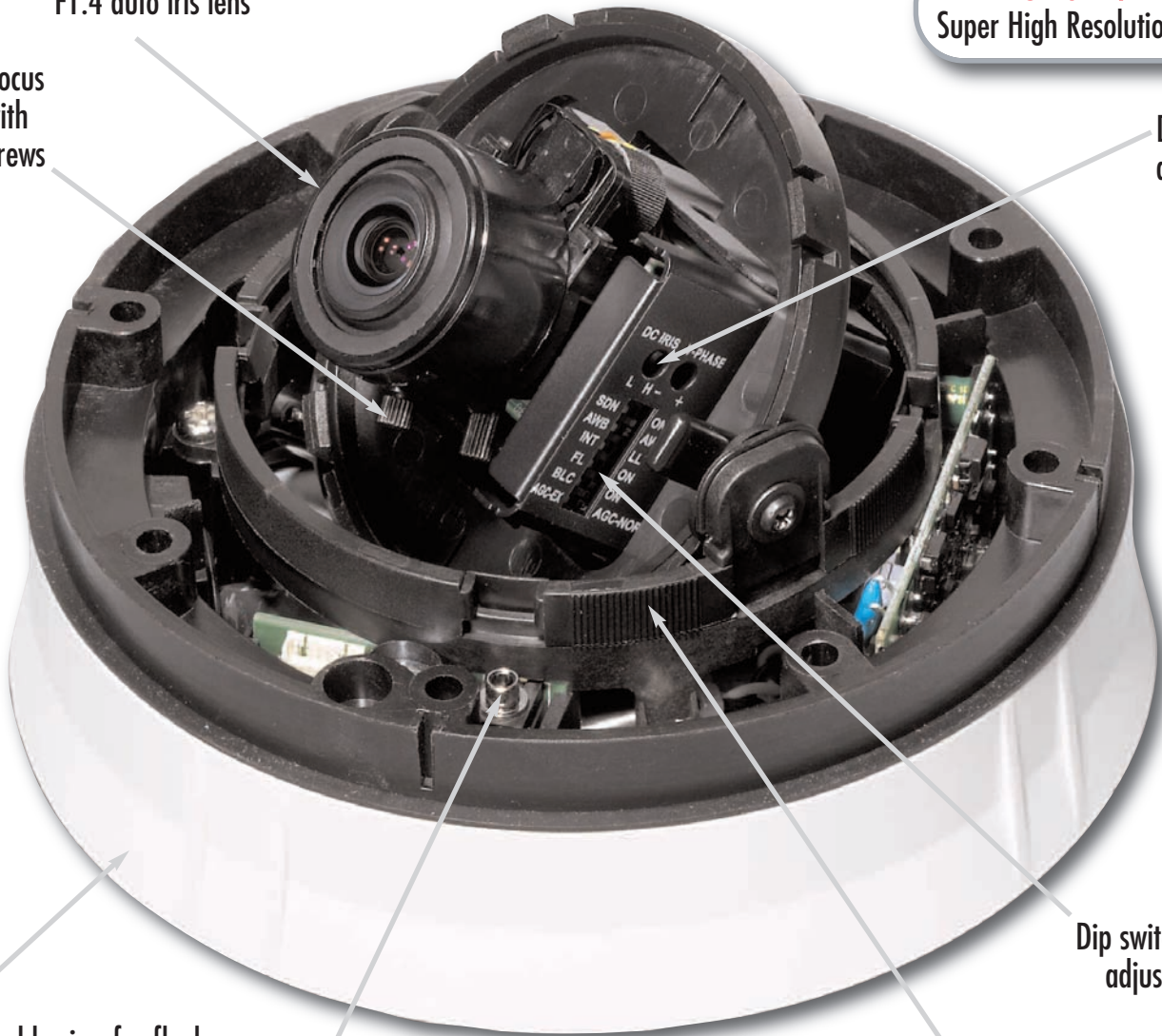
DOMES FEATUERS

3.3-12mm **computar**[®]
F1.4 auto iris lens

540 TVL
Super High Resolution CCD

Zoom & Focus
controls with
locking screws

DC iris level
adjustment



Removable ring for flush
mount installations

Service monitor
cable connection

Outdoor Model Shown

Dip switch setting
adjustments

Proprietary 3-axis Pan/Tilt
Rotation mechanism



Optional 5 foot service monitor
cable for ZC-D4000 Series
domes - Model No. ZCA-SM400

GANZ
ZC-D4000 Series

MOUNTING OPTIONS

Indoor



SURFACE MOUNT

Standard



FLUSH MOUNT

Model No.
ZC-FM3



PENDANT MOUNT

Model No. ZC4-PM1
3/4" NPT pipe attaches directly to the camera base



WALL MOUNT

Model No.
ZC4-WM1

Outdoor/Impact-Resistant



SURFACE MOUNT

Standard



FLUSH MOUNT

Standard



PENDANT MOUNT

Model No. ZC4-PM2



WALL MOUNT

Accessory Model No.
ZC4-WM2

The GANZ® ZC-D4000 Series domes offer full-featured performance at an economical price for indoor and outdoor installations. Both models include Digital Day/Night, True Day/Night, and Wide Dynamic Range options. Interior and exterior mounting options include flush mount, pendant mount and wall mount.

Accessories

ZC-FM3	Flush Mount Kit
ZC4-PM1	Pendant Mount Adapter; Mounts to Dome Base & uses 1" NPT Pipe
ZC4-WM1	Wall Mount Bracket
ZCA-DCS40	Tinted Dome Cover Conceals Lens for Discrete Applications (indoor only)
ZC4-PM2	Pendant Mount Adapter Mounts to the Outdoor Housing Base & Accepts 3/4" Standard Pipe
ZC4-WM2	Outdoor Wall Mount - includes ZC4-PM2 Pendant Mount and Wall Bracket

Product specifications are subject to change without prior notice.

	DIGITAL DAY/NIGHT	TRUE DAY/NIGHT	WIDE DYNAMIC RANGE	OUTDOOR DIGITAL DAY/NIGHT	OUTDOOR TRUE DAY/NIGHT	OUTDOOR WIDE DYNAMIC RANGE
MODELS	ZC-D4312NHA	ZC-DN4312NHA	ZC-DW4312NHA	ZC-DT4312NHA	ZC-DNT4312NHA	ZC-DWT4312NHA
RESOLUTION (HORIZ.)	540 TVL		520 TVL	540 TVL		520 TVL
TV SYSTEM	NTSC					
SCANNING ELEMENT	2:1 Interlace, H15.750 KHz/V:59.94 Hz		-	2:1 Interlace, H15.750 KHz/V:59.94 Hz		-
IMAGE SENSOR	1/3" Interline CCD		1/3" Pixim Sensor	1/3" Interline CCD		1/3" Pixim Sensor
EFFECTIVE PICTURE ELEMENT	768(H) x 494(V)		720(H) x 540(V)	768(H) x 494(V)		720(H) x 540(V)
APPROXIMATE PIXELS	380 K					
MIN. ILLUMINATION	1.4 lux @ F1.4	0.08 lux @ F1.4	1.7 lux @ F1.4	1.0 lux @ F1.2	0.08 lux @ F1.4	1.7 lux @ F1.4
S/N RATIO	50 db		>42 db	50 db		>42 db
WIDE DYNAMIC RANGE	-		120 db/ 17 bit	-		120 db/ 17 bit
WIDE DYNAMIC RANGE AREA	-		1 Zone - Fully Adjustable	-		1 Zone - Fully Adjustable
FRAME INTEGRATION	-		Default 2x, max 32x	-		Default 2x, max 32x
ELECTRONIC SHUTTER	-		1/60-1/100000	-		1/60-1/100000
DAY/NIGHT	Digital D/N	True D/N	Digital D/N	Digital D/N	True D/N	Digital D/N
BACK LIGHT COMPENSATION	Central area for auto iris		-	Central area for auto iris		-
EXPOSURE CONTROL	DC Auto Iris Drive					
SYNC SYSTEM	Internal/Line Lock					
VIDEO OUTPUT	1.0 Vpp, 75Ω Unbalanced					
WHITE BALANCE	Automatic White Balance		ATW, MWB, 1-Touch	Automatic White Balance		ATW, MWB, 1-Touch
POWER RANGE	AC: 24V AC + 20% or DC: 12V DC -10% +20%					
POWER CONSUMPTION	4W	4.3W	4.2W	4W	4.3W	4.2W
OPERATING TEMPERATURE	10° F to 122° F			-10° F to 122° F		
STORAGE TEMPERATURE	-30° F to 140° F					
EXTERNAL DIMENSIONS	4.7" Ø x 3.9" H			5.5" Ø x 3.9" H		
WEIGHT	350g / .77 lbs	300g / .66 lbs		600g / 1.3 lbs		
Lens Specifications						
LENS FOCAL LENGTH	3.3-12mm					
MAX. APERTURE	F1.4	F1.4	F1.4	F1.2	F1.4	F1.4
IRIS RANGE	F1.4 ~ F360	F1.4 ~ F360	F1.4 ~ F360	F1.2 ~ F360	F1.4 ~ F360	F1.4 ~ F360
MINIMUM FOCUSING DISTANCE	0.5 m/19"					
ANGLE OF VIEW (H)	89.8° ~ 23.9°					
(V)	63.6° ~ 17.9°					
LENS TYPE	Varifocal					

NOTE: Specifications are subject to change without notice.



CBC (AMERICA) Corp.

NEW YORK: 55 MALL DRIVE COMMACK, NY 11725 • TEL: 1 (800) 422-6707 • (631) 864-9700 • FAX: (631) 543-5426
CALIFORNIA: 20521 EARL STREET TORRANCE, CA 90503 • TEL: 1 (800) 888-0131 • (310) 793-1500 • FAX: (310) 793-1506
www.computarganz.com © 2009 CBC (AMERICA) Corp. All Rights Reserved. 05/09